

Receiver
From

 Society
 Reference
 Address
 Phone
 Fax
 E-mail

Item n° :

60112962

Model :

VA 65/130

Pump data

Pressure rating : 10 bar (1000 KPa)

Min. fluid temperature : -10 °C

Max. fluid temperature : 110 °C

Minimum suction head :

Temperature °C

Minimum suction head : m

Requested data

Flow : 0.00 m³/h

Head : 0.00 m

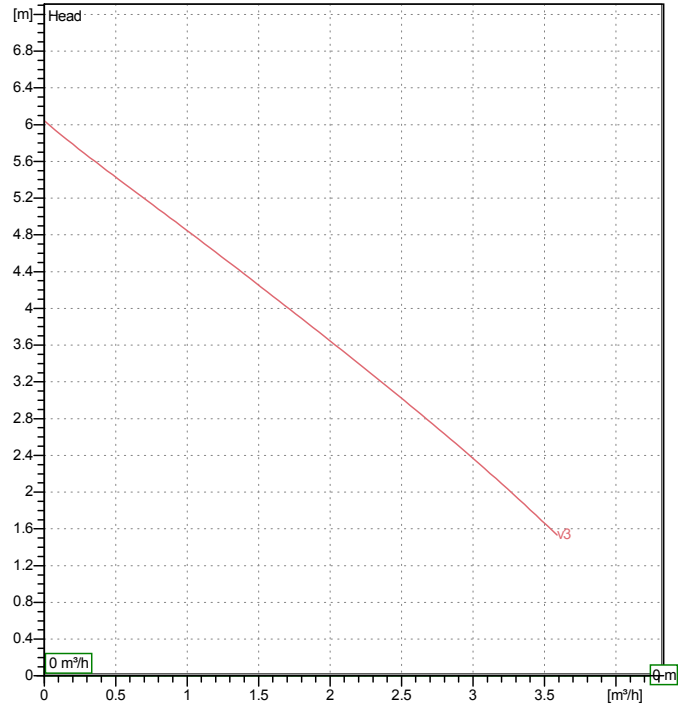
Fluid (%) : Water, pure

Fluid Temperature : 20 °C

Density : 998.3 kg/m³

Kinematic viscosity : 1.005 mm²/s

Vapor pressure : 100.00 kPa

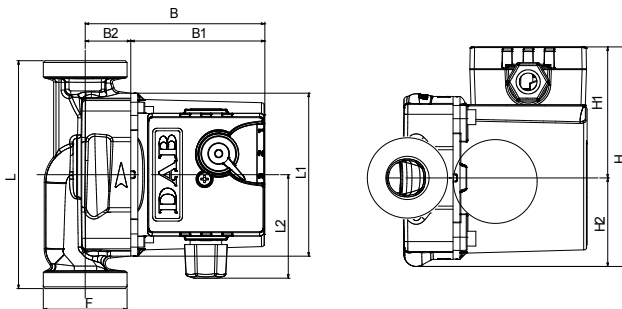
Curve tolerance according to ISO 9906

Hydraulic data (duty point)

Flow :

Head :

Materials

Pump body	Cast iron
Impeller	Technopolymer
Motor shaft	Stainless steel
Air vent plug	Brass
Seal ring	Etyilene propylene
Motor casing	Die cast aluminium
Stator jacket	Stainless steel


Motor data

Motor brand : DAB

Power input P1 : 0.078 kW

Rated speed : 2310 rpm

Rated voltage : 1~ 230 V 50 Hz

Nominal current : 0.34 A

Degree of protection : IP 44

Dimensions in mm

B	104	H	124	L1	98		
B1	78	H1	75	L2	60		
B2	26	H2	49				
F	1" 1/2	L	130				

Weight : 2.5 kg

Pump connection

 Suction side 1" 1/2 G 10 bar (1000 KPa)
 Discharge side 1" 1/2 G 10 bar (1000 KPa)



WATER • TECHNOLOGY

PERFORMANCE CURVES

08/01/2015

Page 2 / 3

DAB PUMPS S.p.A.
Via Marco Polo, 14 - 35035 Mestrino (PD), Italy
Tel. +39 049 5125000 - Fax +39 049 5125950
www.dabpumps.com

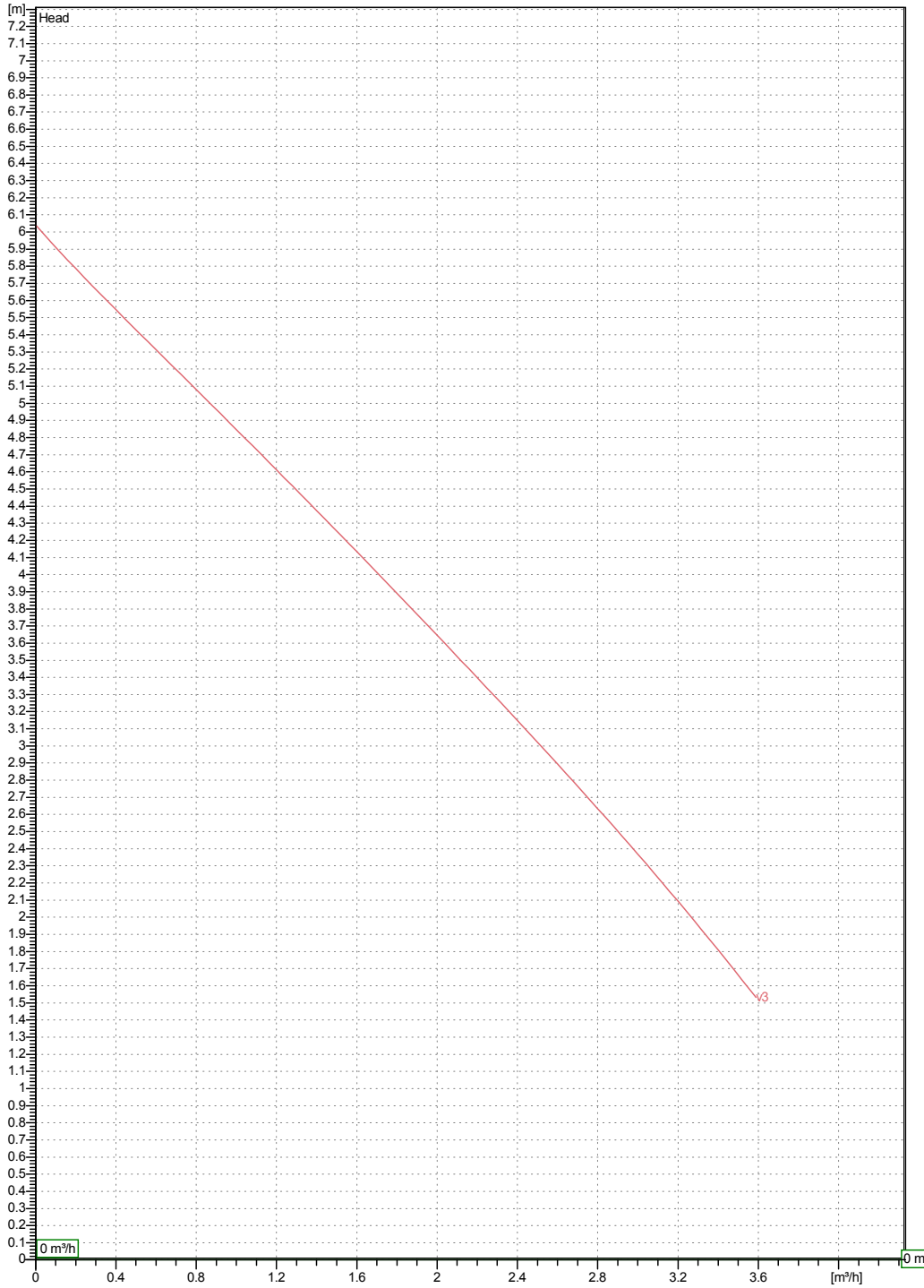
Receiver

From

Society
Reference
Address
Phone
Fax
E-mail

VA 65/130

Curve tolerance according to ISO 9906



Hydraulic data (duty point)

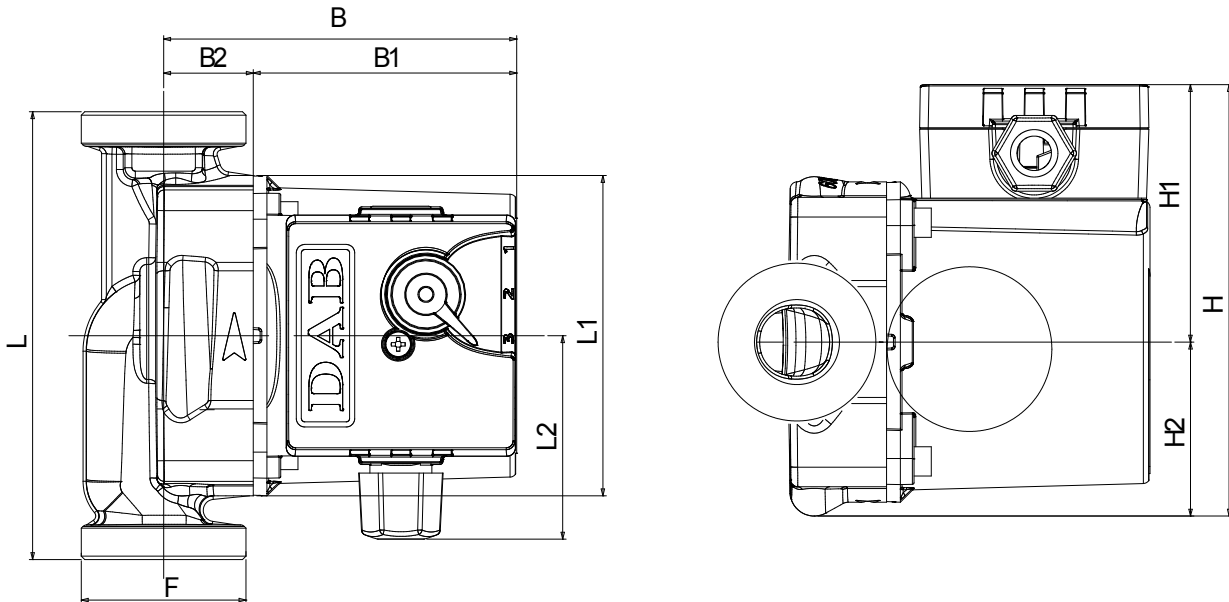
Suction side 1 " 1/2 G 10 bar (1000 KPa)	Discharge side 1 " 1/2 G 10 bar (1000 KPa)	Flow : 0 m³/h	Head : 0 m	Rated speed : 2310 rpm
Project	Project ID	Created by	Created on 08/01/2015	

Receiver

From

Society
 Reference
 Address
 Phone
 Fax
 E-mail

VA 65/130


Dimensions in mm

1	B	104
2	B1	78
3	B2	26
4	F	1" 1/2
5	H	124
6	H1	75
7	H2	49
8	L	130
9	L1	98
10	L2	60

Pump connection

Suction
 1 " 1/2 G
 10 bar (1000 KPa)

Discharge
 1 " 1/2 G
 10 bar (1000 KPa)

Project

Project ID

Created by

Created on

08/01/2015